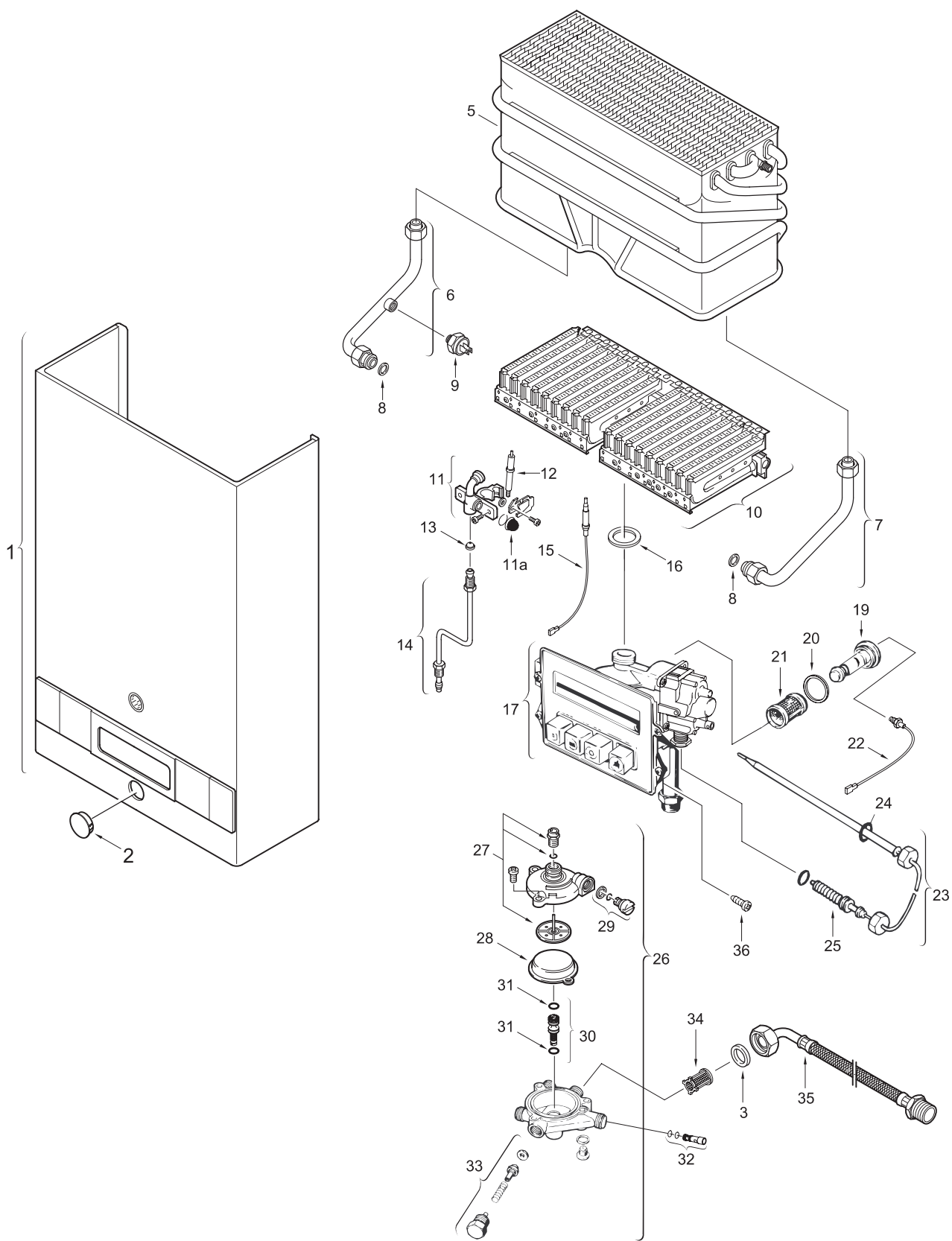


8.2 Components diagram



6720606518-14.1JF

Fig. 27 Components Diagram

### 8.3 Parts list

Item	Description	Reference
1	Cover	8 705 421 033
2	Cap cover	8 703 304 011
3	Water connection gasket	8 710 103 043
5	Heat exchanger	8 705 406 189
6	Hot water pipe	8 700 705 431
7	Cold water pipe	8 700 705 294
8	Heat exchanger washer	8 710 103 045
9	Overheat sensor (ECO)	8 707 206 017
10	Main burner assembly	8 708 120 296 LP
	Main burner assembly	8 708 120 298 NG
11	Pilot burner assembly	8 718 105 051
11a	Pilot filter screen	8 700 507 055
12	Piezo electrode	8 708 107 002
13	Pilot orifice	8 708 200 005 NG
	Pilot orifice	8 748 200 173 LP
14	Pilot Tube	8 710 707 166
15	Thermocouple	8 747 202 083
16	Burner assembly washer	8 710 103 060
17	Gas valve	8 707 011 467 LP
17	Gas valve	8 707 011 469 NG
18	Gas supply pipe	8 700 705 464
19	Electromagnet	8 747 201 094
20	Electromagnet washer	8 700 103 144
21	Gas filter	8 700 507 051
22	Thermocable	8 747 202 078
23	Thermostat	8 707 206 039
24	O ring Thermostat	8 700 205 101
25	O ring Thermostat	8 700 205 041
26	Water valve assembly	8 707 002 393
27	Pushrod	8 703 406 204
28	Water valve diaphragm	8 700 503 050
29	Slow ignition valve	8 708 503 062
30	Water valve setting screw	8 703 404 092
31	O ring setting screw	8 700 205 050
32	Water valve venturi	8 708 205 235
33	Water valve piston assembly	8 708 500 230
34	Water inlet filter	8 700 507 059
35	Water elbow fitting	8 700 703 114
36	Water valve set screw	8 703 401 051
37	Water valve drain screw	8 703 406 153

Table 4